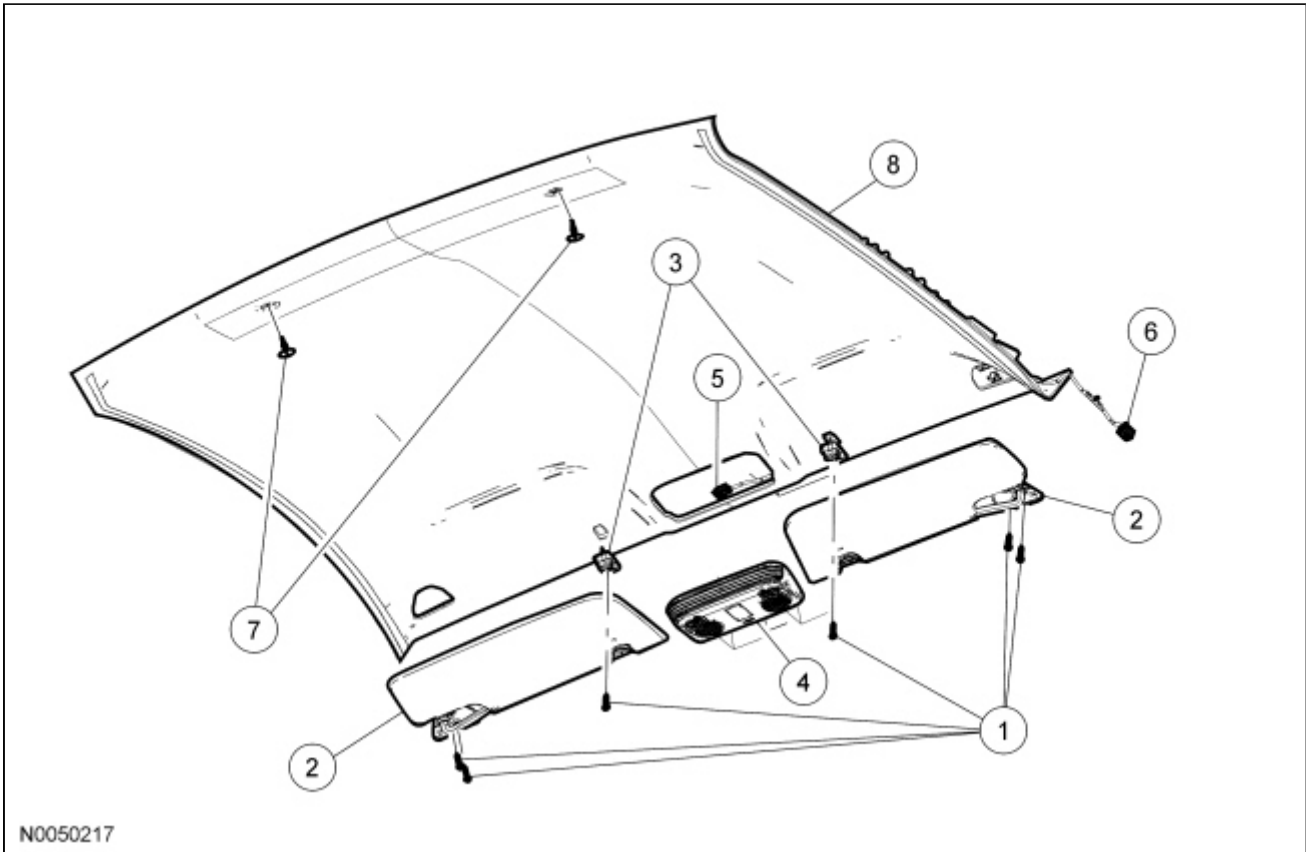


Headliner

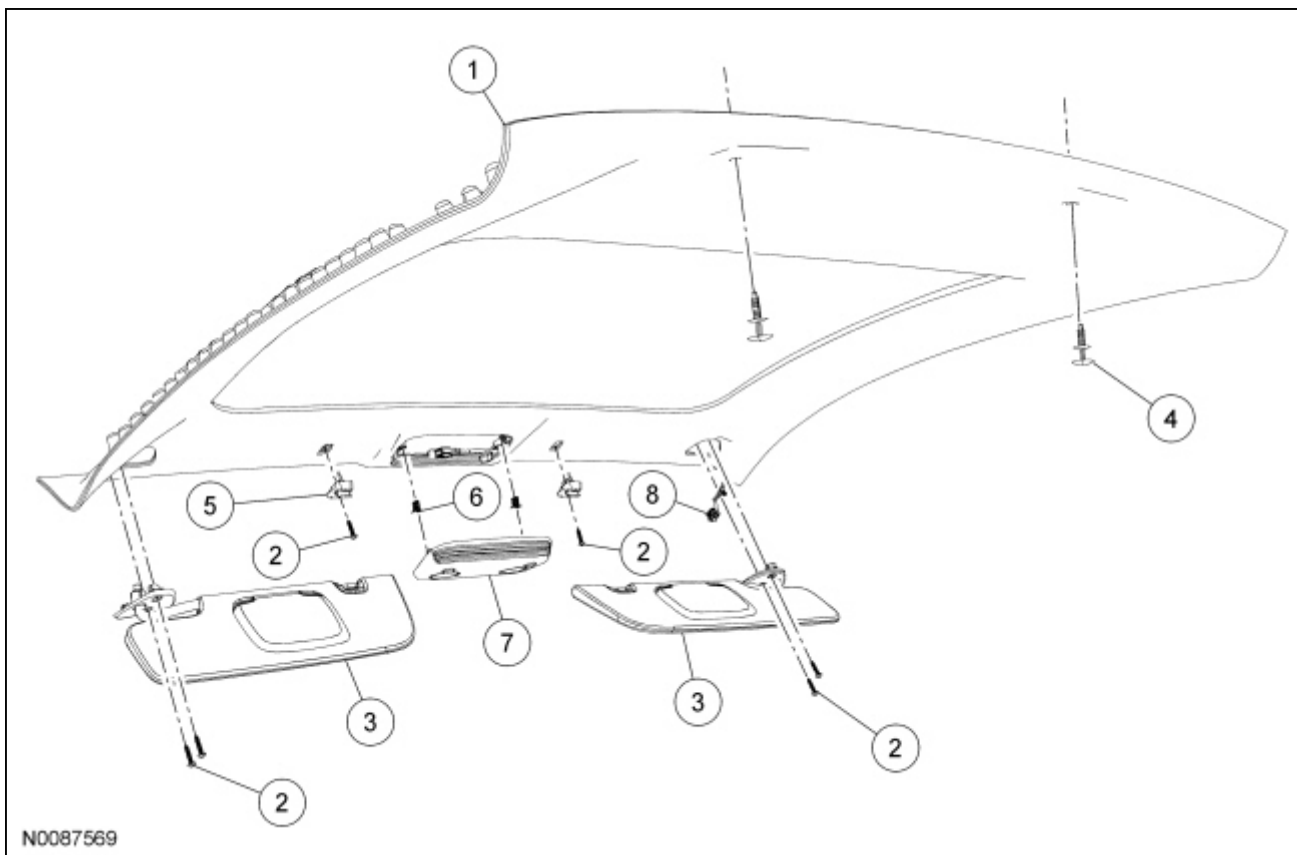
Coupe



N0050217

Item	Part Number	Description
1	N806664	Sun visor screws/sun visor arm clip screws (6 required)
2	6304104 RH/ 6304105 LH	Sun visors (2 required)
3	6304132	Sun visor arm clips (2 required)
4	519A58	Overhead console
5	—	Overhead console electrical connector (part of 14A464)
6	—	Headliner electrical connector (part of 14484)
7	W714340	Headliner pin-type retainers (2 required)
8	6351916	Headliner

Glass Roof



N0087569

Item	Part Number	Description
1	51968	Headliner
2	N806664	Sun visor screws/sun visor arm clip screws (6 required)
3	04105 LH/ 04104 RH	Sun visors (2 required)
4	W714340	Headliner pin-type retainer (2 required)
5	04132	Sun visor arm clip (2 required)
6	—	Overhead console clip (part of 519A58)
7	519A58	Overhead console
8	—	Headliner electrical connector (part of 51968)

Removal and Installation

1. Remove the quarter window trim panel. For additional information, refer to [Quarter Window Trim Panel](#) in this section.
2. Remove the 6 sun visor screws, the 2 sun visors and the 2 sun visor arm clips.
3. Remove the overhead console.
 - Disconnect the electrical connector.
4. Remove the 2 headliner pin-type retainers.
5. Disconnect the headliner electrical connector and remove the headliner.
6. **NOTE:** A new headliner will need to be installed if the headliner is folded during removal or installation.

To install, reverse the removal procedure.

